

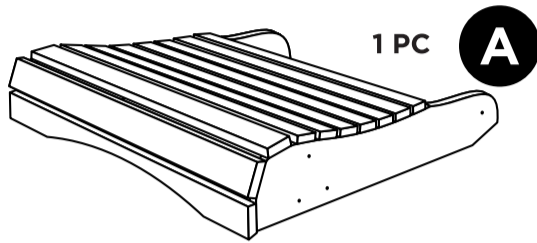
# ASSEMBLY INSTRUCTIONS

TOOLS NEEDED: Philips screwdriver, power drill optional

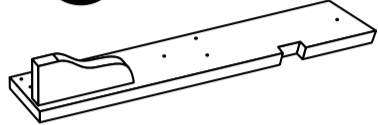
**CAUTION:** When assembling chair, **DO NOT** completely tighten the nuts and bolts until all the parts & holes are properly aligned and positioned.

## PARTS LIST

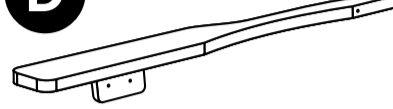
**IMPORTANT:** All Left & Right Side directions are from the perspective of looking at the front of the chair.



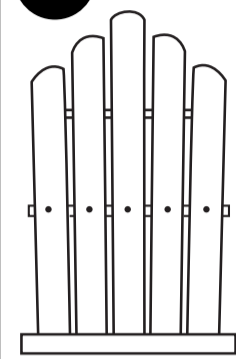
**B** Right Side • 1 PC



**D** Left Side • 1 PC



**H** 1 PC



**C**



**E**



**K** 1 PC



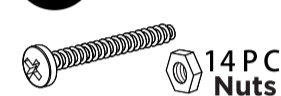
**F** Right Side • 1 PC



**I** Right Side • 1 PC



**L** 14 PC



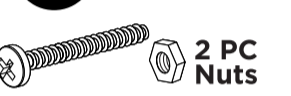
**M** 4 PC



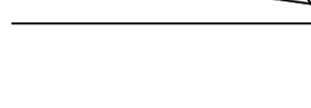
**N** 8 PC



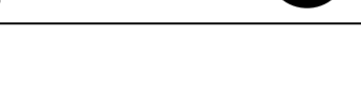
**O** 2 PC



**G** Left Side • 1 PC



**J** Left Side • 1 PC

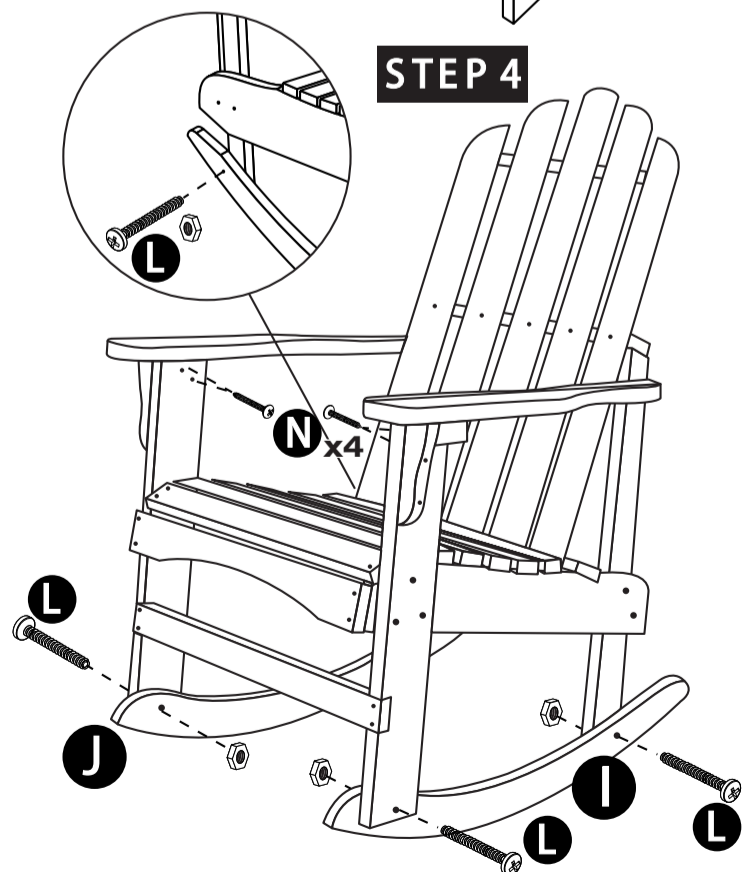
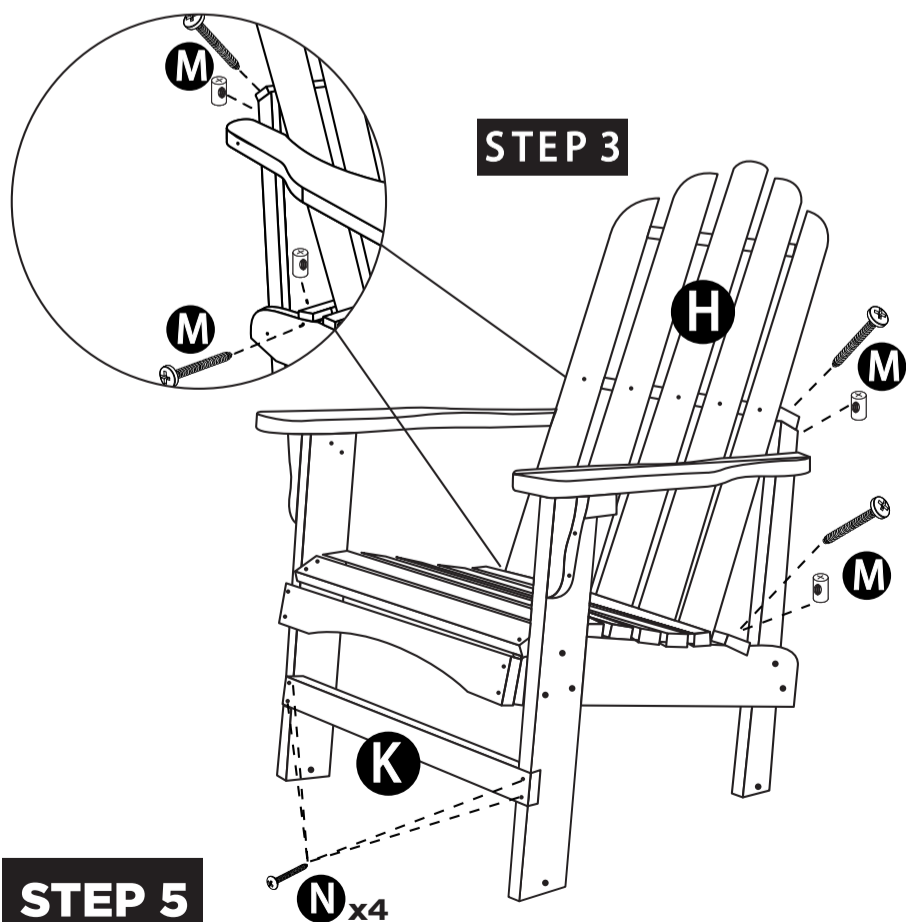
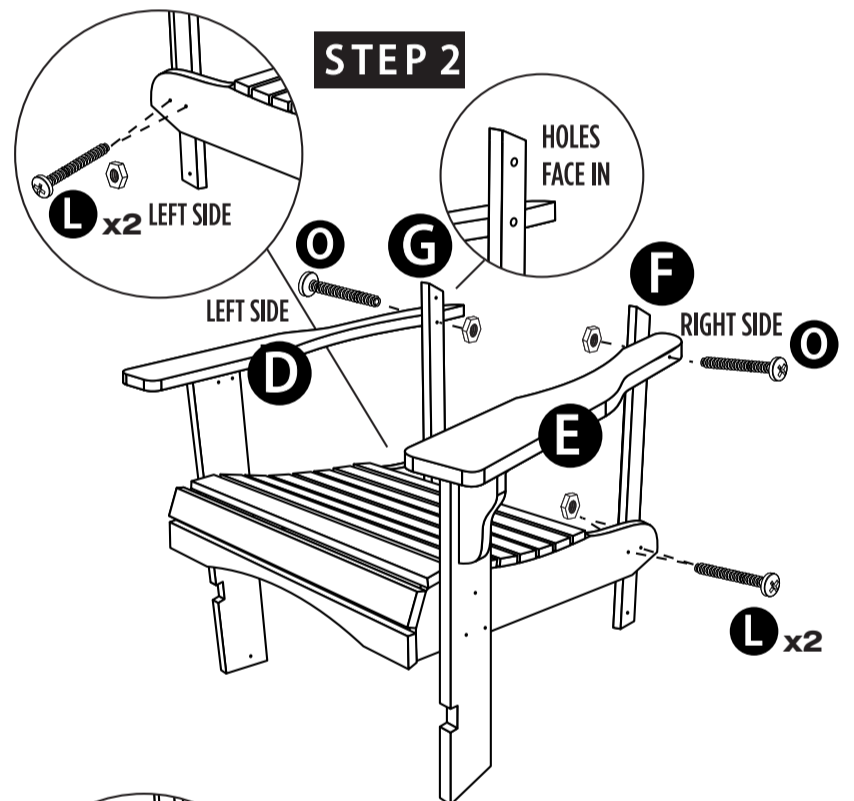
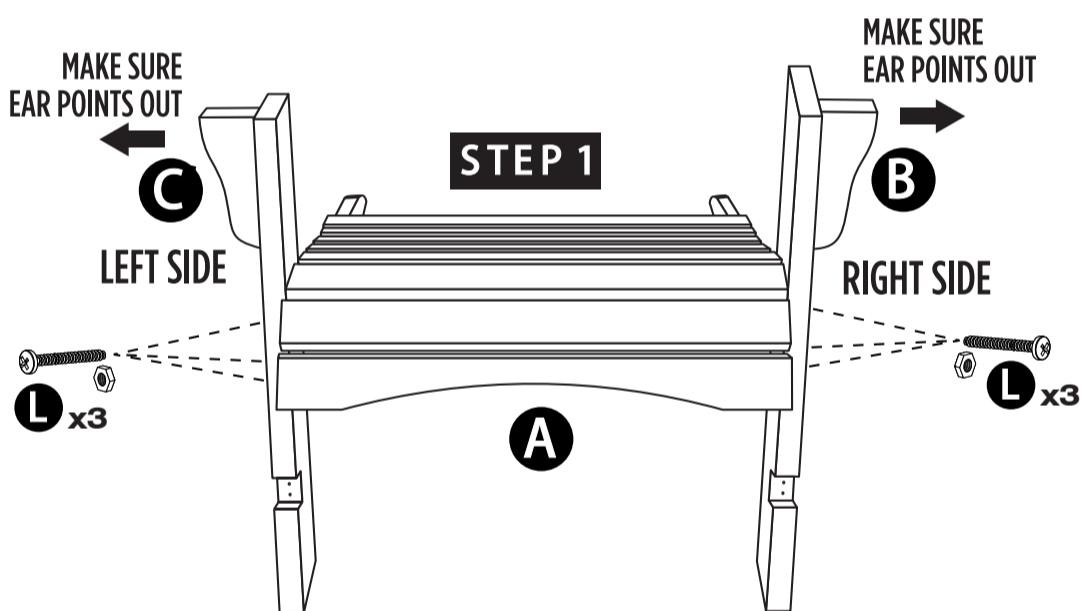


Short Machine Thread (6x50mm)

Lag Bolts (6x60mm)

Wood Screw (3.5x40mm)

Short Machine Thread (6x70mm)



**STEP 5**

**TIGHTEN ALL NUTS AND BOLTS WHEN YOU ARE COMPLETELY DONE ASSEMBLING THE CHAIR.**