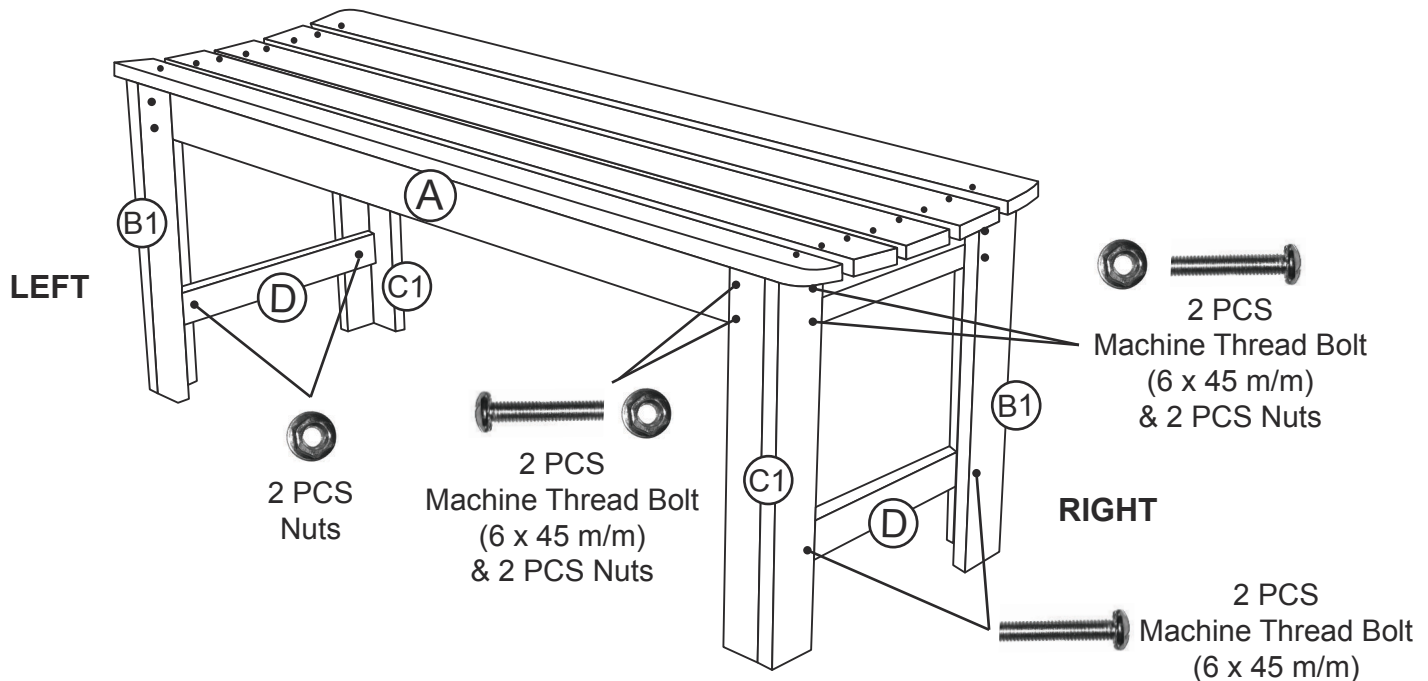


# How To Assemble Your Garden Bench (Rev. 10/2018)

**TOOLS NEEDED:** Philips screwdriver

**CAUTION:** When assembling bench, **DO NOT** completely tighten hardware until all parts and holes are properly aligned.



**Note:** Top of Legs are angled to match the curvature of the bench seat.  
Please line up & check that legs are properly placed before tightening screws.

**Step 1:** Attach (B1) & (C1) Legs to (A) Bench Top using 16pcs Machine Thread Bolt and 16pcs Nuts (4pcs for each leg/corner). Insert machine thread from the outside through the legs to connect with (A) Bench Top & place Nut on the inside to tighten machine thread.

**Step 2:** Attach (D) Short Support Slat to the bottom of Legs with 2pcs of Machine Thread Bolt from the outside and place 2pcs of Nuts on the inside to tighten bolts. Repeat with the remaining (D) Short Support Slat on the other side.

## PARTS INCLUDED:



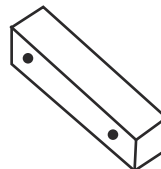
1 PC  
(A) Bench Top



2 PCS  
(B1) Legs



2 PCS  
(C1) Legs



2 PCS  
(D) Short Support Slat



20 PCS  
Machine Thread Bolt  
(6 x 45 m/m)



20 PCS  
Nuts