

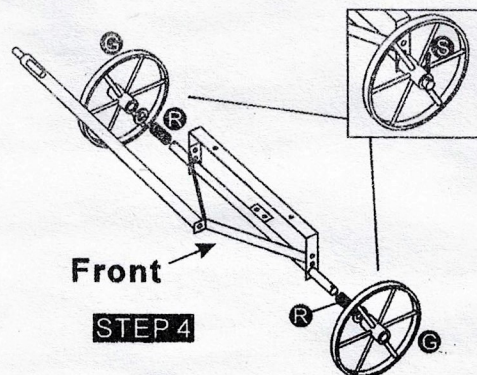
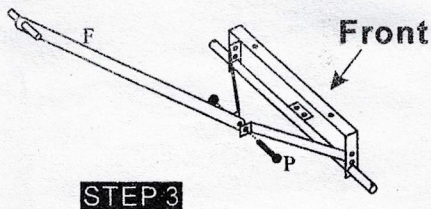
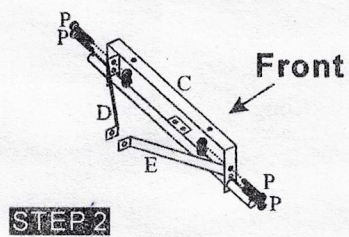
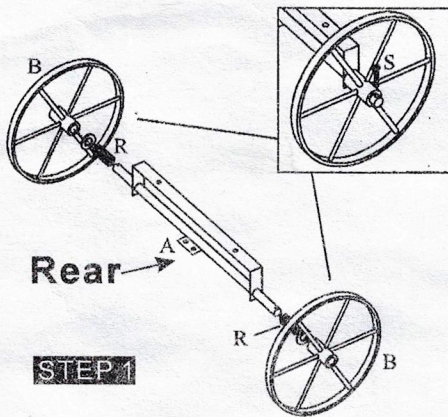
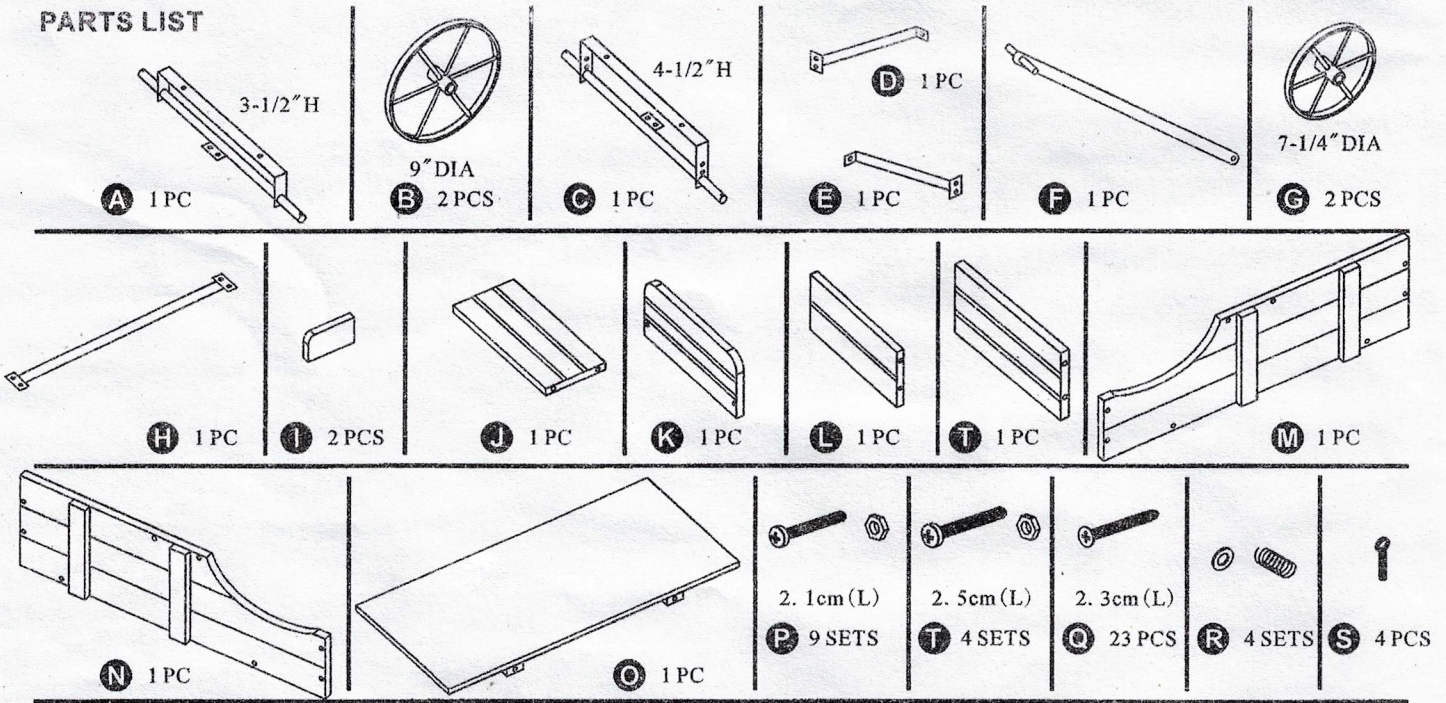
# ASSEMBLY INSTRUCTIONS

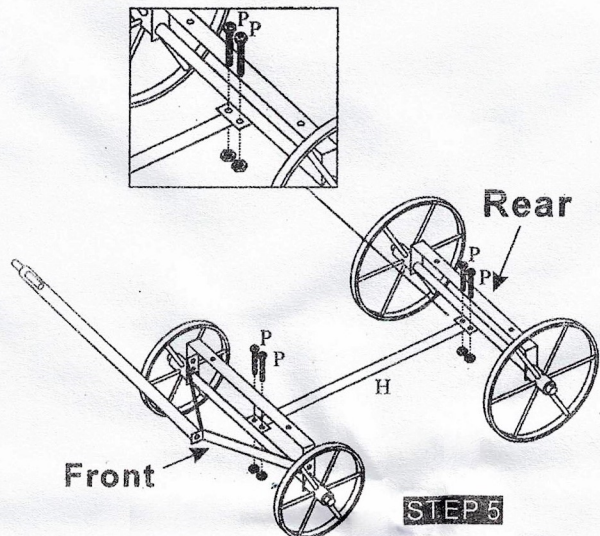
TOOLS NEEDED: Philips screwdriver, power drill optional

**CAUTION:** When assembling wagon, **DO NOT** completely tighten the nuts and bolts until all the parts & holes are properly aligned and positioned.

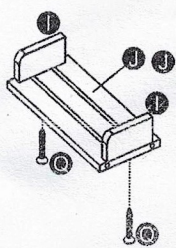
For missing hardware please contact [customerservice@shineco.com](mailto:customerservice@shineco.com)

## PARTS LIST

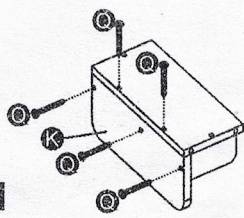




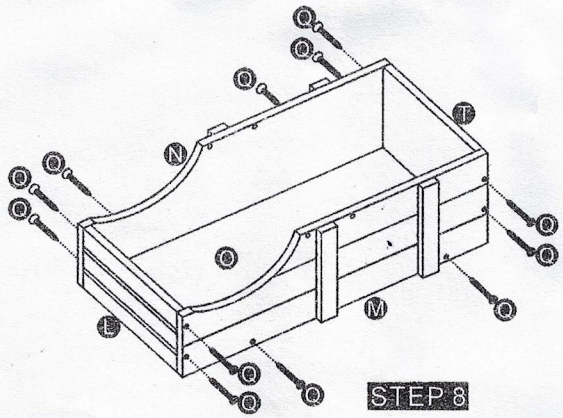
**STEP 5**



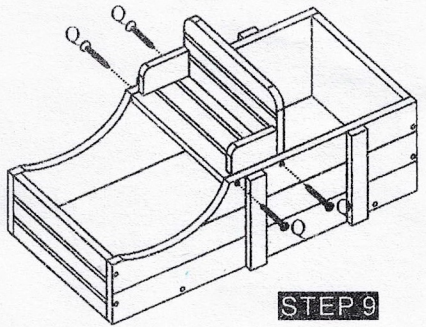
**STEP 6**



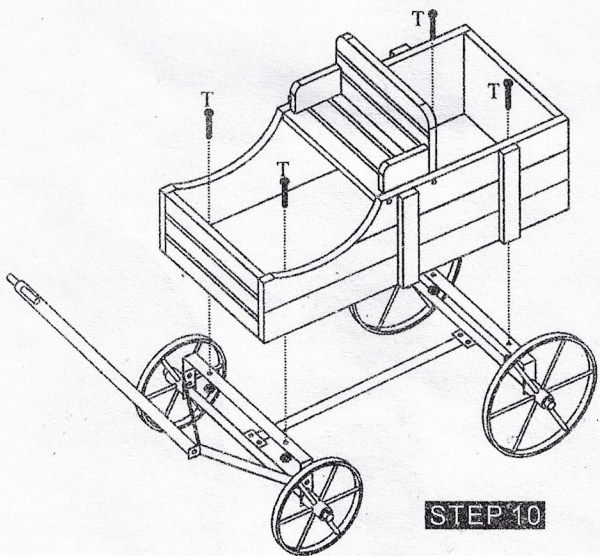
**STEP 7**



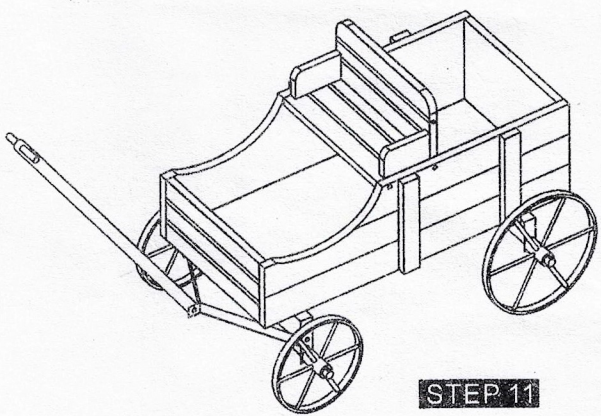
**STEP 8**



**STEP 9**



**STEP 10**



**STEP 11**

**STEP 12**  
**PHILLIPS HEAD SCREWDRIVER (NOT INCLUDED)**  
**WEIGHT LIMIT: 30 LBS**