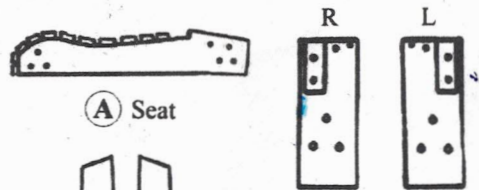
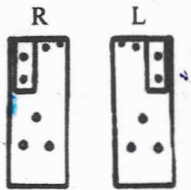


## PARTS INCLUDED:



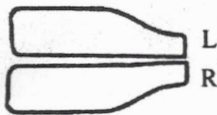
(A) Seat



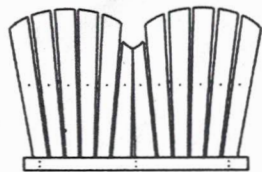
(B) Front Leg.



(C) Rear Armrest Support



(D) Arm Rest



(E) Back Rest



6 PC Barrels  
12 PC Nuts



4 PC Wood Screws (3.5 x 40 m/m)



6 PC Lag Bolts (6 x 60 m/m)



10 PC Short Machine Thread (6 x 50 m/m)



2 PC Long Machine Thread (6 x 60 m/m)

## How To Assemble Your Loveseat REV.

**TOOLS NEEDED:** Philips screwdriver, power drill optional

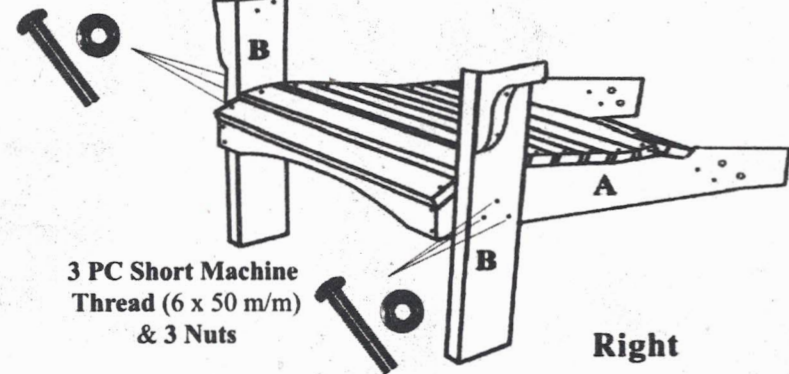
**CAUTION:** When assembling chair, **DO NOT** completely tighten the bolts and nuts until all the parts & holes are properly aligned.

### Step 1:

Place (A) Seat on its side and screw (B) Front Leg with three Short Machine Thread (6 x 50 m/m) and three Nuts.

Repeat on the other side.

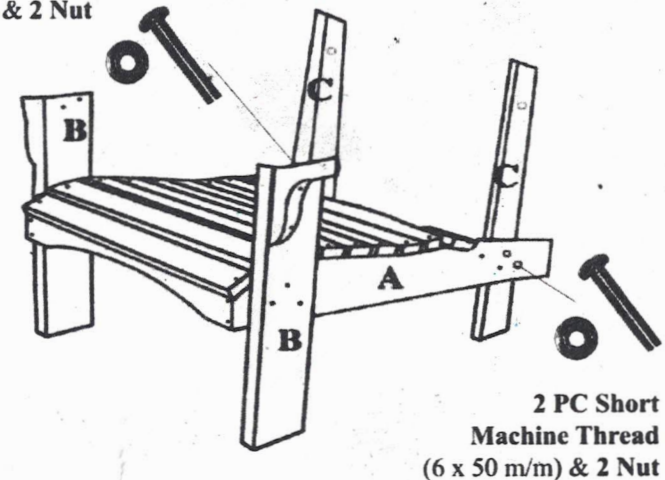
3 PC Short Machine Thread (6 x 50 m/m) & 3 Nuts



### Step 2:

Place (A) Seat in upright position. Screw (C) Rear Armrest Support with two Short Machine Thread (6 x 50 m/m) and two Nuts to (A) Seat so that it is perpendicular to the floor. Repeat on the other side.

2 PC Short Machine Thread (6 x 50 m/m) & 2 Nut



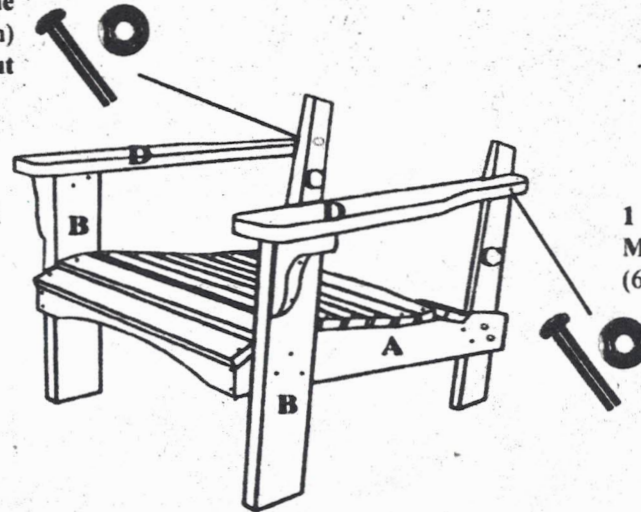
**NOTE:** Lightly screw the bolts of (C) Rear Armrest Support to properly attach to (D) Armrest in the next step.

2 PC Short Machine Thread (6 x 50 m/m) & 2 Nut

**Step 3:**

Attach the back of **(D)** Armrest to **(C)** Rear Armrest Support with one Long Machine Thread (6 x 60 m/m) and one Nut. Repeat on the other side. Leave **(D)** Armrest sitting on **(B)** Front Legs for now and do not attach the strews.

1PC Long Machine Thread (6 x 60 m/m) & 1 Nut



1 PC Long Machine Thread (6 x 60 m/m) & 1 Nut

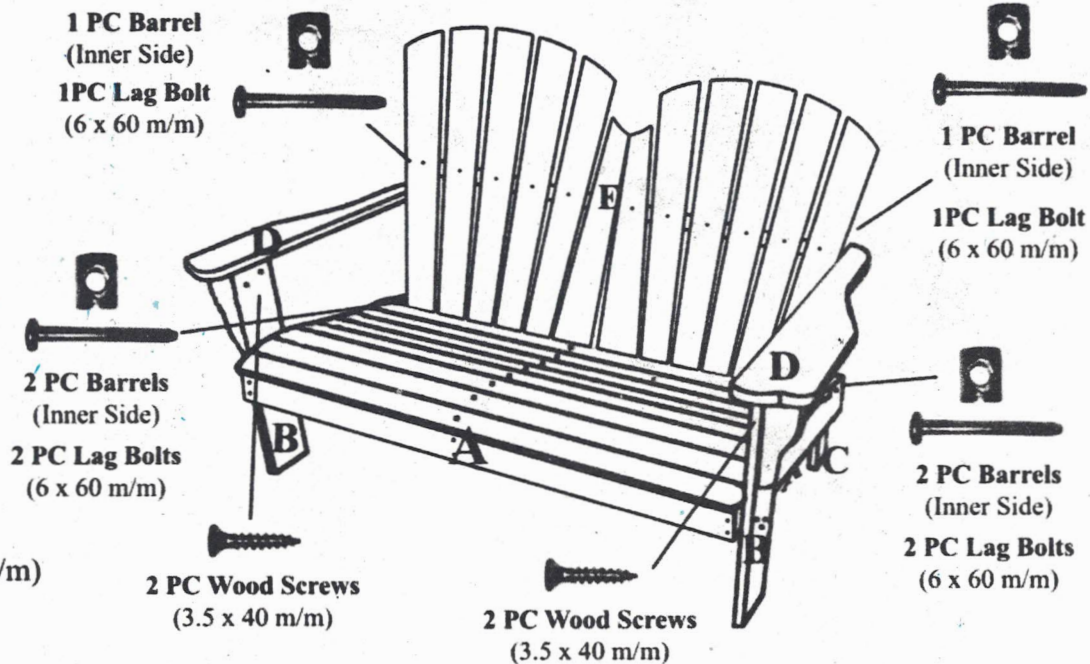
**Step 4:**

Place four barrels into the holes found on the inner sides of **(A)** Seat and place two barrels into holes found at the inner side of **(C)** Rear Armrest Support.

Remove any debris from holes in **(E)** Back Rest. Fit **(E)** Back Rest onto **(C)** Rear Armrest Support.

Once fitted, use four Lag Bolts (6 x 60 m/m) to attach **(E)** Back Rest to **(A)** Seat and the remaining two Lag Bolts (6 x 60 m/m) to attach **(E)** Back Rest to **(C)** Rear Armrest Support.

Push **(D)** Armrest forward until it hits the wings of **(B)** Front Leg and use two Wood Screws (3.5 x 40 m/m) to attach them together. Repeat on the other side.



REV.