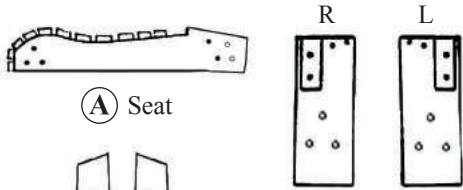
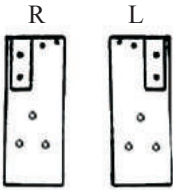


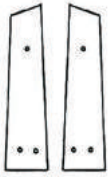
PARTS INCLUDED:



Ⓐ Seat

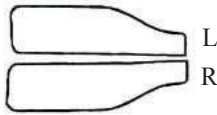


Ⓑ Front Leg

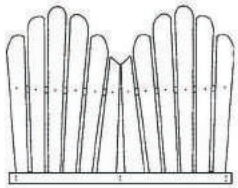


R L

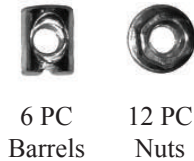
Ⓒ Rear Armrest Support



Ⓓ Arm Rest



Ⓔ Back Rest



6 PC Barrels
12 PC Nuts



4 PC Wood Screws (3.5 x 40 m/m)



6 PC Lag Bolts (6 x 60 m/m)



10 PC Short Machine Thread (6 x 50 m/m)



2 PC Long Machine Thread (6 x 60 m/m)

How To Assemble Your Loveseat (REV. 02/2017)

TOOLS NEEDED: Philips screwdriver, power drill optional

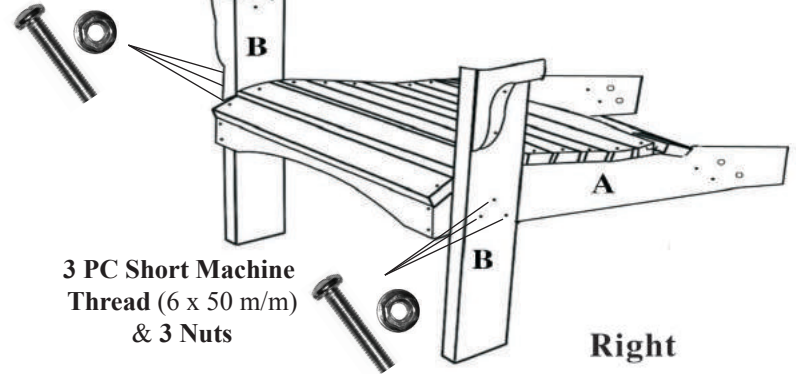
CAUTION: When assembling chair, **DO NOT** completely tighten the bolts and nuts until all the parts & holes are properly aligned.

Step 1:

Place Ⓐ Seat on its side and screw Ⓑ Front Leg with three Short Machine Thread (6 x 50 m/m) and three Nuts.

Repeat on the other side.

3 PC Short Machine Thread (6 x 50 m/m) & 3 Nuts

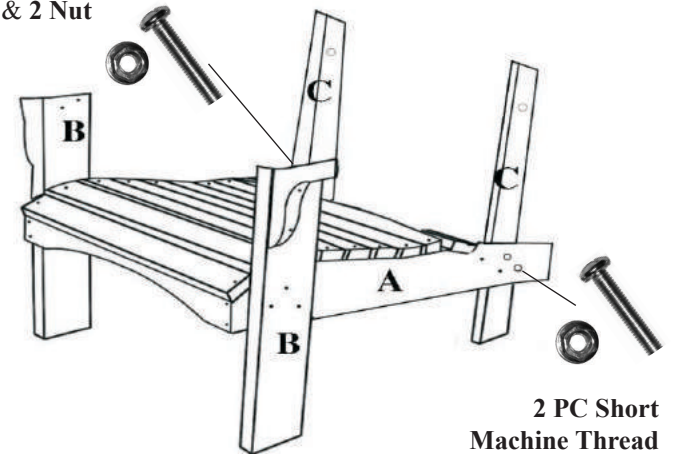


Step 2:

Place Ⓐ Seat in upright position. Screw Ⓒ Rear Armrest Support with two Short Machine Thread (6 x 50 m/m) and two Nuts to Ⓐ Seat so that it is perpendicular to the floor. Repeat on the other side.

NOTE: Lightly screw the bolts of Ⓒ Rear Armrest Support to properly attach to Ⓓ Armrest in the next step.

2 PC Short Machine Thread (6 x 50 m/m) & 2 Nut

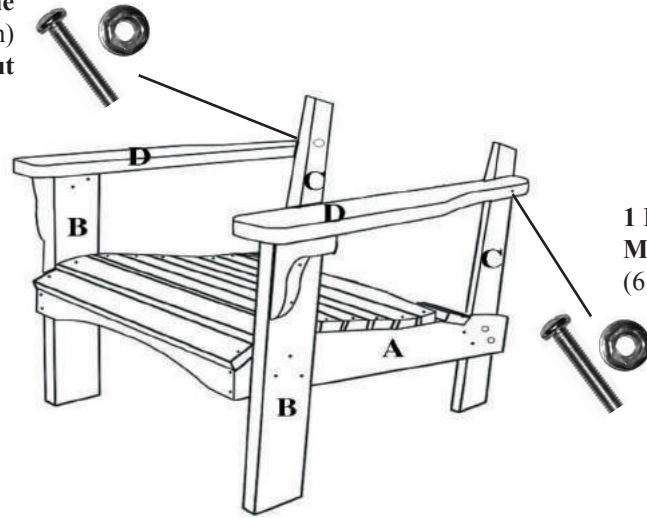


2 PC Short Machine Thread (6 x 50 m/m) & 2 Nut

Step 3:

Attach the back of (D) Armrest to (C) Rear Armrest Support with one Long Machine Thread (6 x 60 m/m) and one Nut. Repeat on the other side. Leave (D) Armrest sitting on (B) Front Legs for now and do not attach the strews.

1PC Long Machine Thread (6 x 60 m/m) & 1 Nut



1 PC Long Machine Thread (6 x 60 m/m) & 1 Nut

Step 4:

Place four barrels into the holes found on the inner sides of (A) Seat and place two barrels into holes found at the inner side of (C) Rear Armrest Support.

Remove any debris from holes in (E) Back Rest. Fit (E) Back Rest onto (C) Rear Armrest Support.

Once fitted, use four Lag Bolts (6 x 60 m/m) to attach (E) Back Rest to (A) Seat and the remaining two Lag Bolts (6 x 60 m/m) to attach (E) Back Rest to (C) Rear Armrest Support.

Push (D) Armrest forward until it hits the wings of (B) Front Leg and use two Wood Screws (3.5 x 40 m/m) to attach them together. Repeat on the other side.

1 PC Barrel (Inner Side)
1PC Lag Bolt (6 x 60 m/m)

2 PC Barrels (Inner Side)
2 PC Lag Bolts (6 x 60 m/m)

2 PC Wood Screws (3.5 x 40 m/m)

2 PC Wood Screws (3.5 x 40 m/m)

1 PC Barrel (Inner Side)
1PC Lag Bolt (6 x 60 m/m)

2 PC Barrels (Inner Side)
2 PC Lag Bolts (6 x 60 m/m)

