

ASSEMBLY INSTRUCTIONS

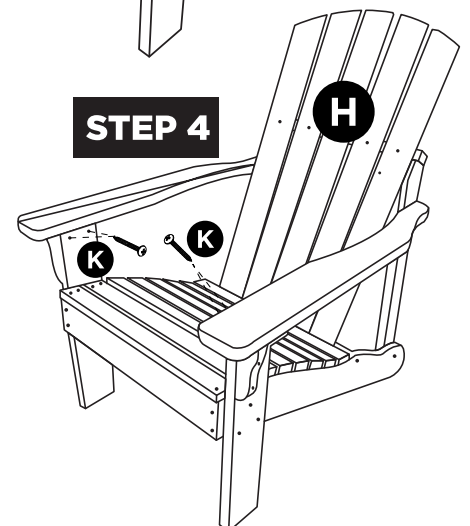
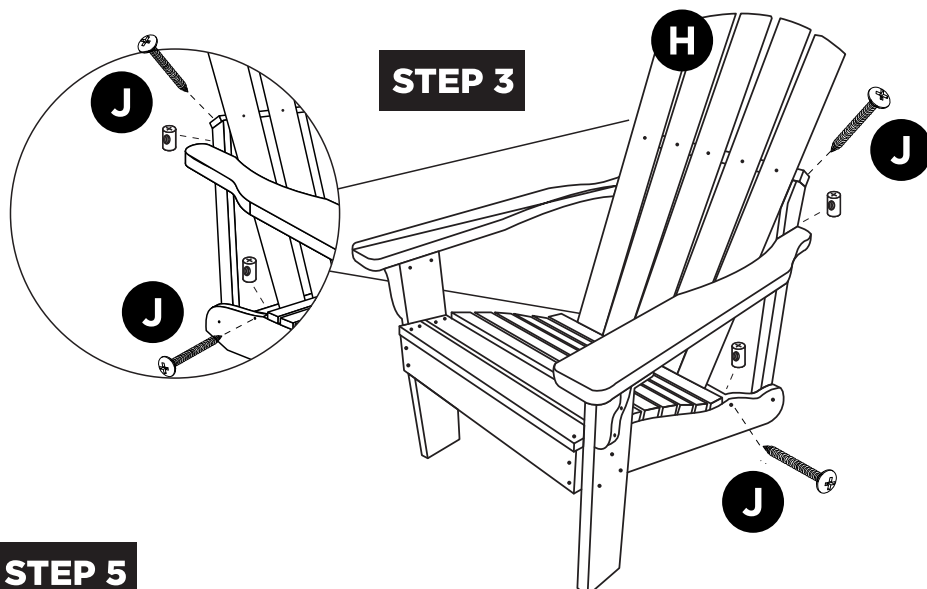
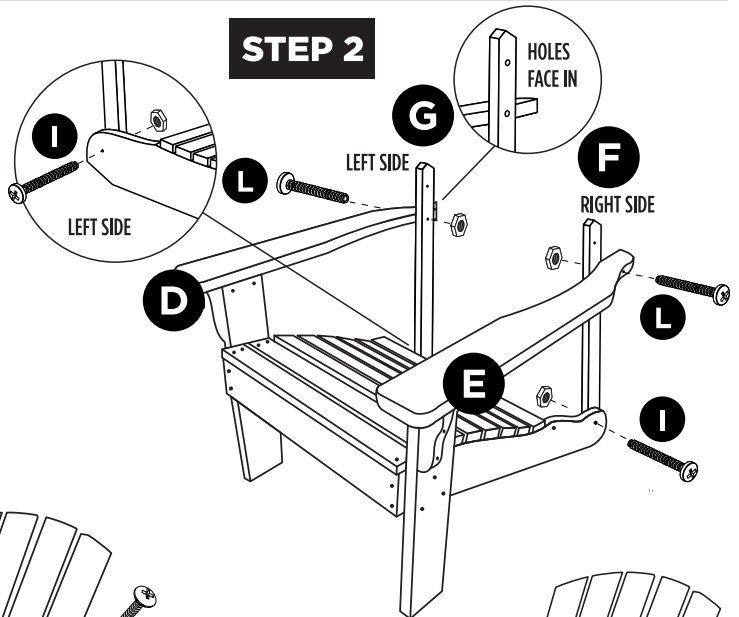
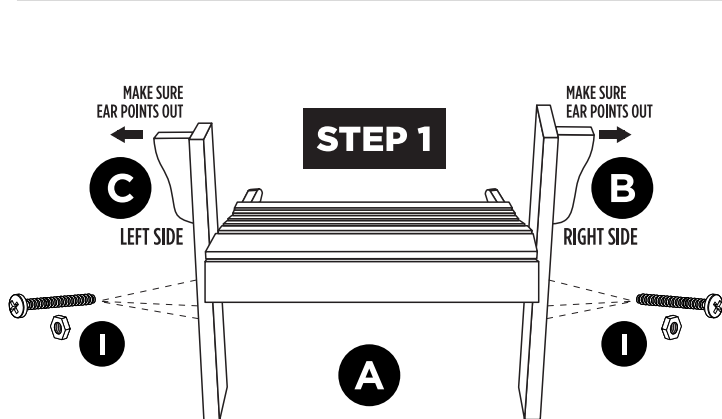
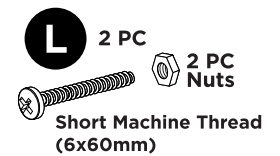
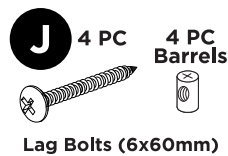
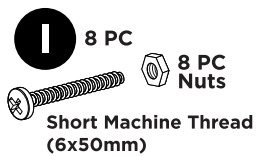
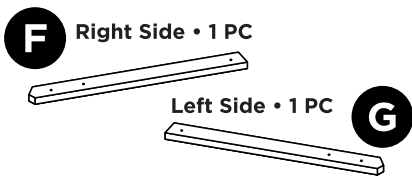
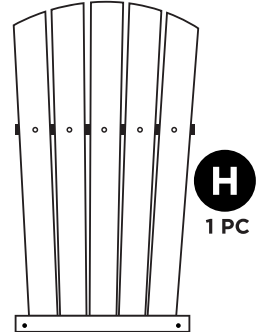
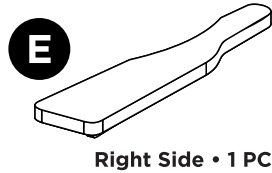
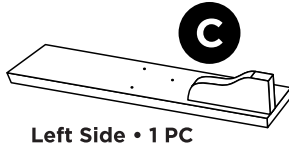
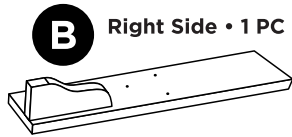
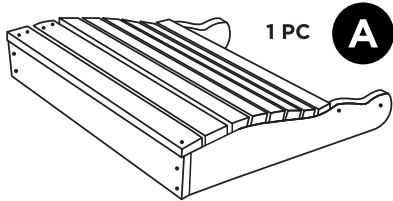
Tools Needed: Philips screwdriver or power drill (optional)

CAUTION: When assembling chair, **DO NOT** completely tighten the nuts and bolts until all the parts & holes are properly aligned and positioned.

For missing hardware please contact customerservice@shineco.com

PARTS LIST

IMPORTANT: All Left & Right Side directions are from the perspective of looking at the front of the chair.



STEP 5

TIGHTEN ALL NUTS AND BOLTS WHEN YOU ARE COMPLETELY DONE ASSEMBLING THE CHAIR.