

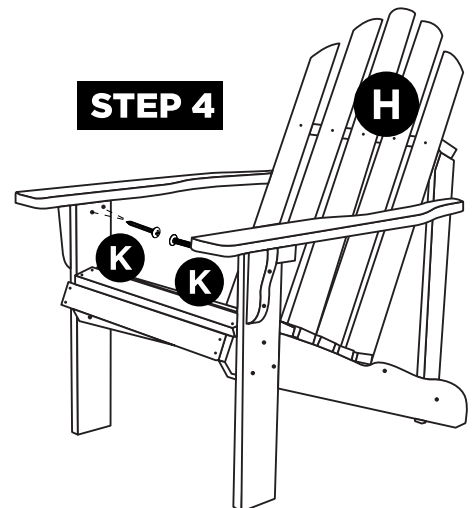
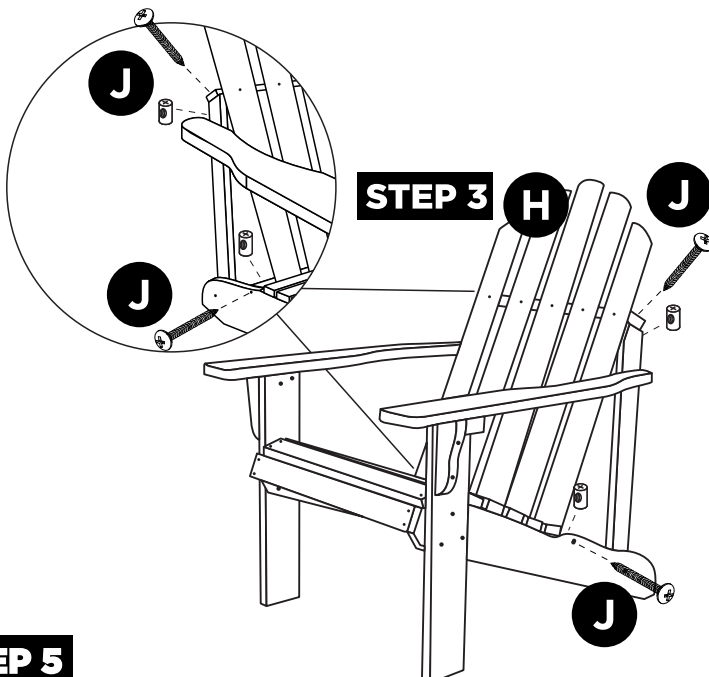
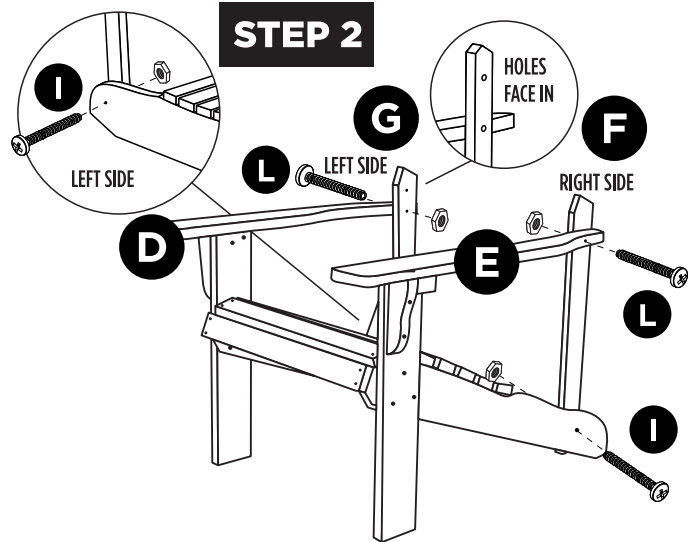
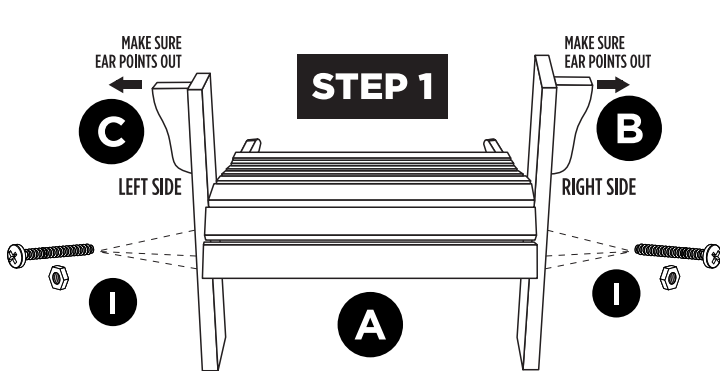
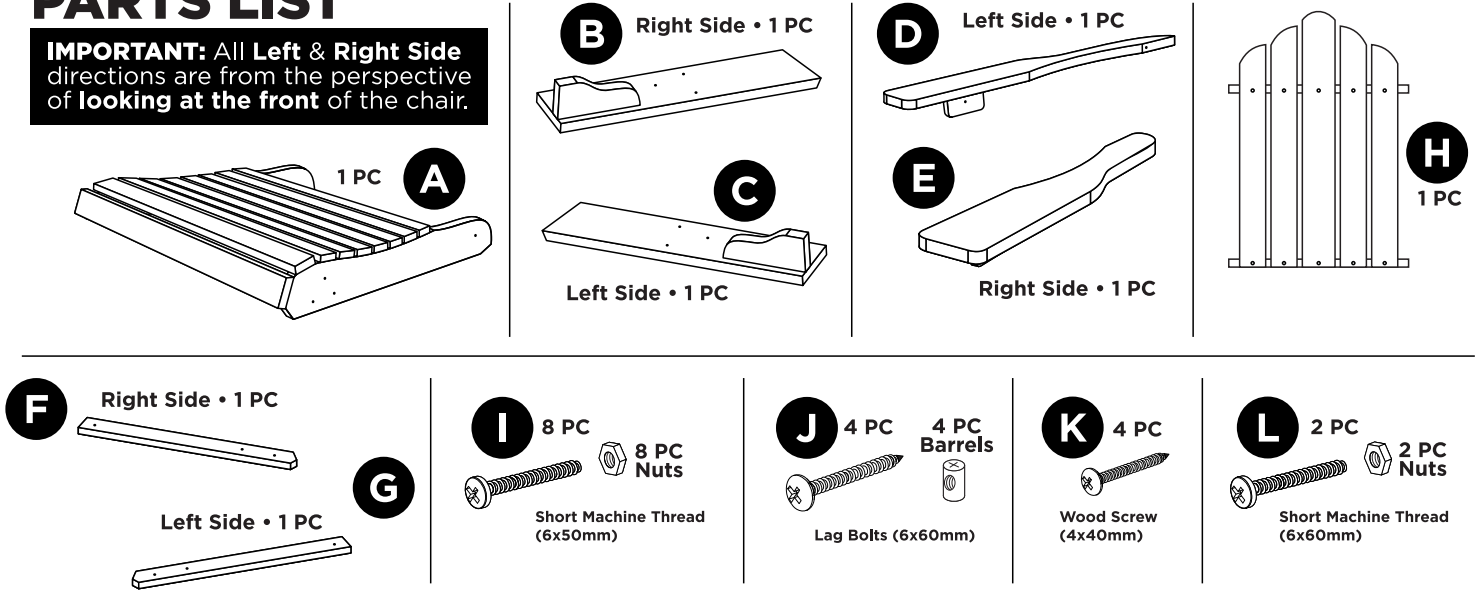
# ASSEMBLY INSTRUCTIONS

**TOOLS NEEDED:** Philips screwdriver, power drill optional

**CAUTION:** When assembling chair, **DO NOT** completely tighten the bolts and nuts until all the parts & holes are properly aligned.

## PARTS LIST

**IMPORTANT:** All Left & Right Side directions are from the perspective of looking at the front of the chair.



## STEP 5

**TIGHTEN ALL NUTS AND BOLTS WHEN YOU ARE COMPLETELY DONE ASSEMBLING THE CHAIR.**