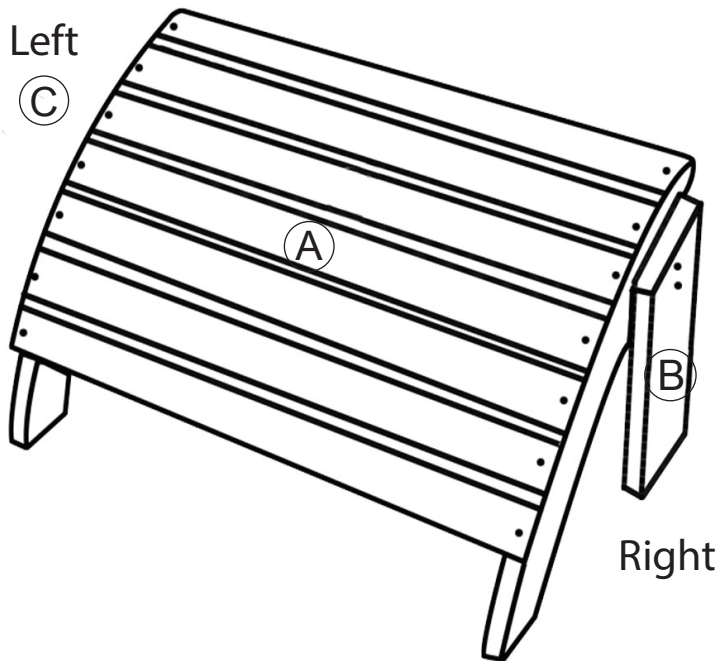


# How To Assemble Your Ottoman (Rev. 12/2016)

**TOOLS NEEDED:** Philips screwdriver, power drill optional

**CAUTION:** When assembling ottoman, **DO NOT** completely tighten the bolts and nuts until all the parts and holes are properly aligned.

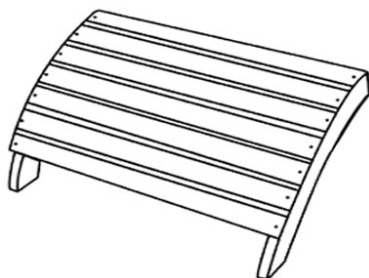
**Do not sit on ottomans.**



**Step 1:** Attach both (B) & (C) Front Legs to (A) Top Panel using 4 (6 x 45m/m) Bolts & Nuts

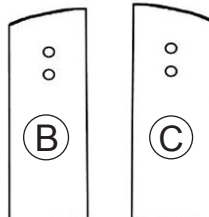
**Step 2:** Tighten all bolts and screws. Enjoy your new ottoman!

## PARTS INCLUDED:



(A) Top Panel

Right Left



(B) & (C) Front Legs



4 PCS  
Bolts  
(6 x 45 m/m)



4 PCS  
Nuts