

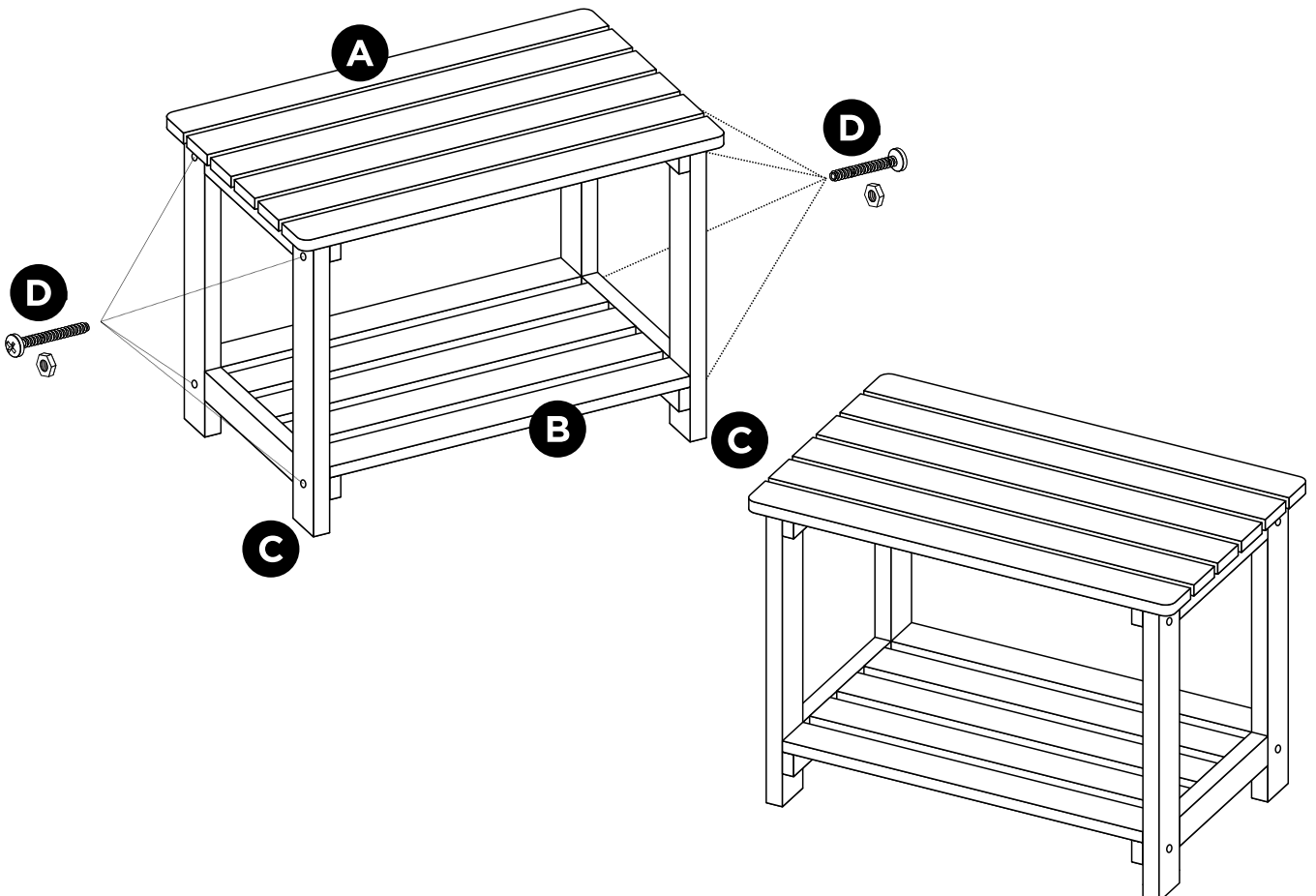
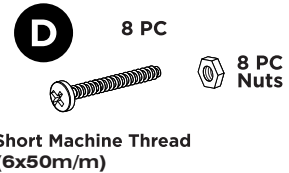
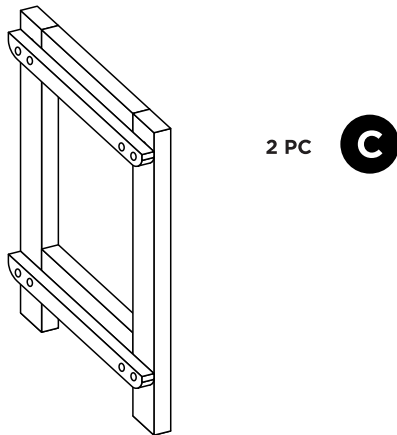
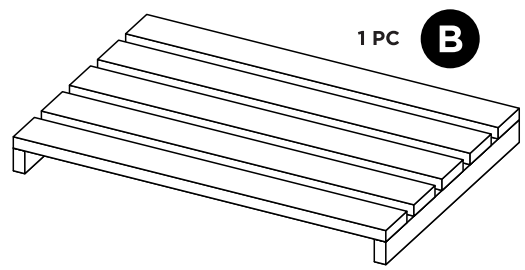
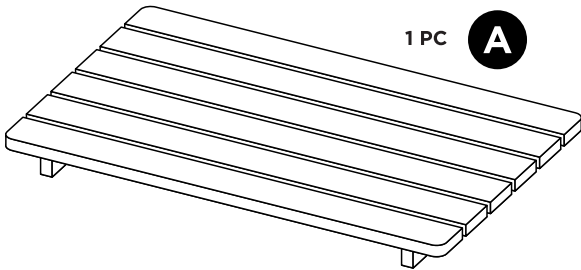
ASSEMBLY INSTRUCTIONS

TOOLS NEEDED: Philips screwdriver, power drill optional

CAUTION: When assembling table, **DO NOT** completely tighten the nuts and bolts until all the parts & holes are properly aligned and positioned.

For missing hardware please contact customerservice@shineco.com

PARTS LIST



TIGHTEN ALL NUTS AND BOLTS WHEN YOU ARE COMPLETELY DONE ASSEMBLING THE TABLE.